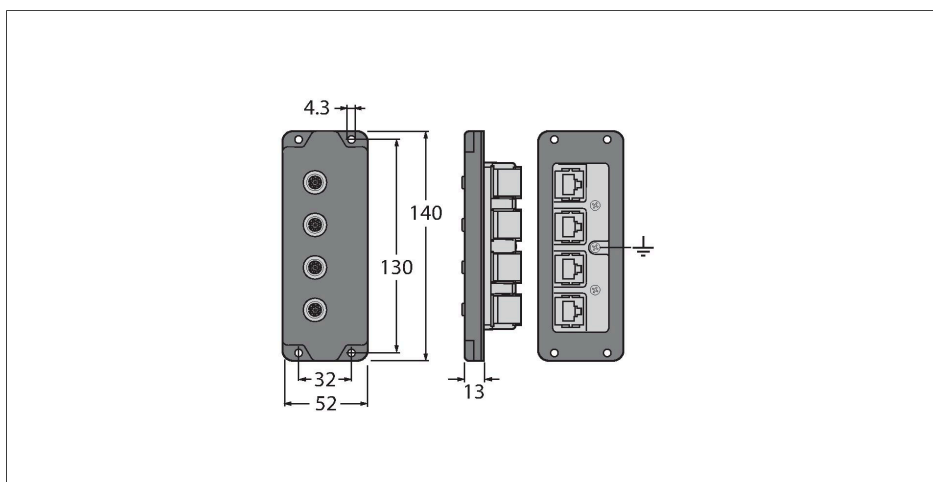


BIC-84-E424

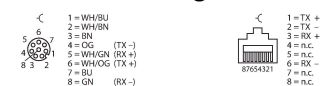
– Wall/panel feed-through



Features

- Wall/Panel feedthrough, 4-port
- 8-pin, M12 (IP67)
- RJ45 (IP20)

Contact assignment



Technical data

Type	BIC-84-E424
ID	U8712
Connector A	Female, M12 × 1
Number of pins	4
Mounting type	front panel mounting
Protection class	IP67
Connector B	RJ45
Network protocol	Ethernet
Mechanical and chemical properties	
Ambient temperature (fixed)	-40...+80 °C