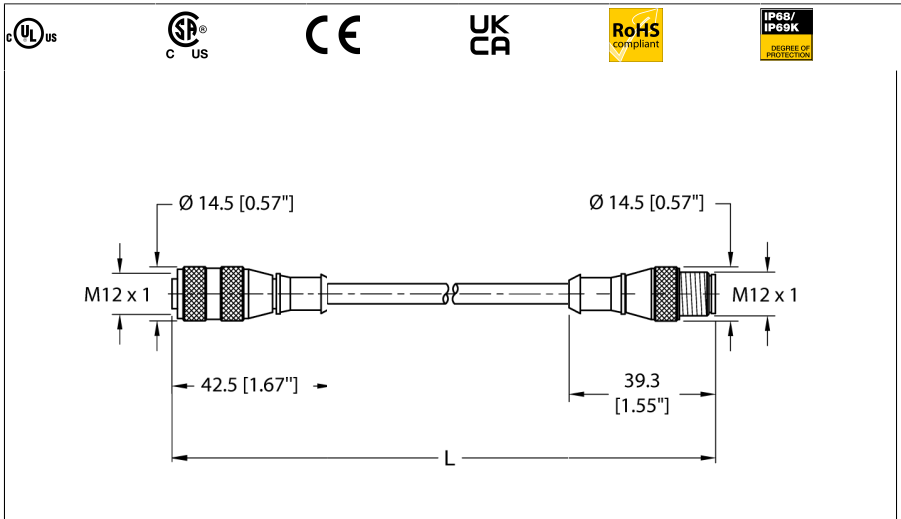


# Actuator and Sensor Cable Extension Cable RK 4.4T-2-RS 4.4T



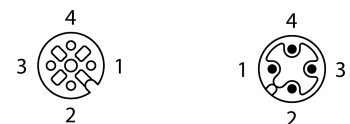
- M12 female connector, straight, 4-pin
- M12 male connector, straight, 4-pin
- Instrumentation Tray Cable
- PVC jacket, gray, 4 × 22 AWG
- UV resistant
- -40 °C cold bending strength
- Oil resistant
- Fire classes: UL 1685 FT4, UL1061, CSA FT4
- Flexlife and C-Track approved

Type	RK 4.4T-2-RS 4.4T
ID	U2445

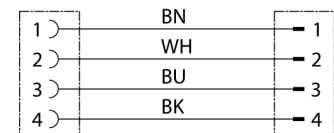
Connector A	Female, M12 × 1, Straight, A-coded
Design specification	acc. to IEC 61076-2-101
Number of pins	4
Contact carriers	Plastic, Nylon or TPU, Black
Connector body	Plastic, TPU, Yellow
Coupling nut/screw	Brass, CuZn, Nickel-plated
Seal	O ring, Plastic, FKM/FPM
Tightening torque (range)	0.8 ... 1 Nm (observe max. torque of mating connector!)
Mechanical lifespan	> 100 Mating cycles
Pollution degree	3
Protection class	IP68, IP69K NEMA: 1, 3, 4, 6P

Connector B	Male, M12 × 1, Straight, A-coded
Design specification	acc. to IEC 61076-2-101
Number of Pins	4
Contact carriers	Plastic, Nylon or TPU, Black
Connector body	Plastic, TPU, Yellow
Coupling nut/retaining screw	Brass, CuZn, Nickel-plated
Tightening torque	0.8 ... 1 Nm (Observe max. value of counterpart!)
Mechanical life	> 100 Mating cycles
Pollution degree	3
Protection class	IP68, IP69K NEMA: 1, 3, 4, 6P

Cable	
-------	--



### Circuit Diagram



Cable ID	RF50516
Number of cores	4
Cable diameter	Ø 5.33mm
Cable length	2 m, (+ 50 mm or 4 % of the length/-0.0, depending on which value is larger) m
Cable jacket	PVC, Gray
Conductor diameter	0.054 "
Conductor material	TC (tinned copper)
Core insulation	PVC
Core cross-section	4 x 22 AWG [Similar to 0.34 mm <sup>2</sup> ]
Arrangement of strands	19 x 0.0058"
Core colors	BN, WH, BU, BK

#### Electrical properties at +20 °C

Rated voltage	250V
Current	4AA

#### Mechanical and chemical properties

Bending radius (stationary installation)	≥ 5 x Ø
Bending radius (flexible use)	≥ 10 x Ø
Cold flexural strength	-40 °C
Bending cycles 20 x Ø	10 million cycles
	When correctly installed at 20 °C, 50 % RH and a cycle speed of ≤ 0.5 cycles per second.
C-track	Yes
Ambient temperature (fixed)	-40...+105°C
Ambient temperature (mobile)	5...+105°C
Ambient temperature during installation	-10...+105 °C

#### Approval

#### Note

Using the cable in extreme temperatures, when it is exposed to certain chemicals and above the nominal cycle speed or below the nominal bending radius of the cable can reduce the flexural strength.

- We reserve the right to make technical modifications without prior notice.