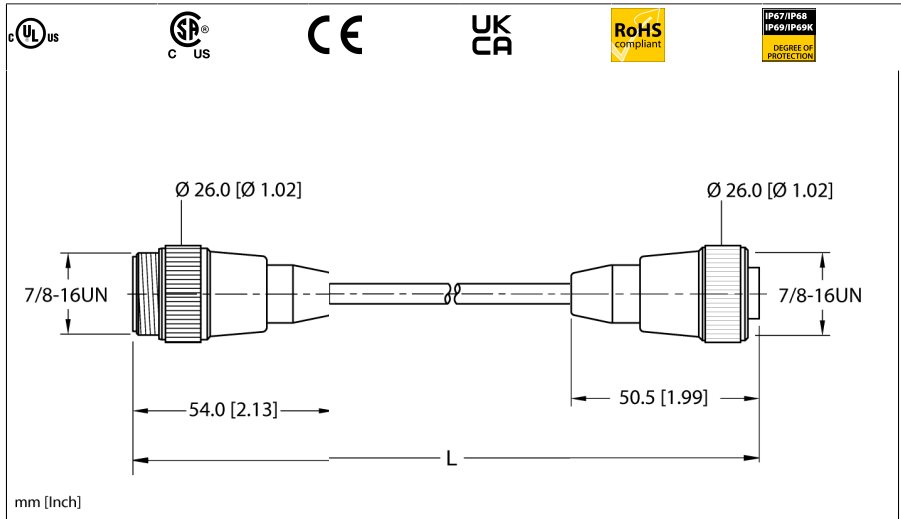


Actuator and Sensor Cable

Verbindungsleitung

RSM RKM 50-2M



Type	RSM RKM 50-2M
ID	U2282-0

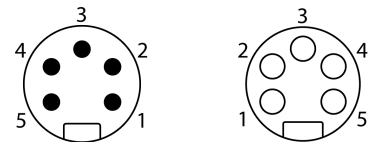
Connector A	Male, 7/8"-16 UN, Straight
Number of pins	5
Contact carriers	Plastic, TPU, Yellow
Connector body	Plastic, TPU, Yellow
Coupling nut/screw	Brass, CuZn, Nickel-plated
Tightening torque	2 Nm
Mechanical lifespan	> 100 Mating cycles
Pollution degree	3
Protection class	IP67, IP68, IP69, IP69K NEMA: 1, 3, 4, 6P, 12

Connector B	Female, 7/8"-16 UN, Straight
Number of Pins	5
Contact carriers	Plastic, TPU, Yellow
Connector body	Plastic, TPU, Yellow
Coupling nut/retaining screw	Brass, CuZn, Nickel-plated
Tightening torque	2 Nm
Mechanical life	> 100 Mating cycles
Pollution degree	3
Protection class	IP67, IP68, IP69, IP69K NEMA: 1, 3, 4, 6P, 12

Cable



- 7/8" male connector, straight, 5-pin
- 7/8" minifast female connector, straight
- Instrumentation Tray Cable
- PVC jacket, yellow, 5 × 18 AWG
- UV resistant
- -40 °C cold bending strength
- Oil resistant
- Fire classes: UL 1685 FT4, UL1061, CSA FT4
- Flexlife and C-Track approved



Circuit Diagram



Cable ID	RF50549
Number of cores	5
Cable diameter	Ø 7.62mm
Cable length	2 m, (+ 50 mm or 4 % of the length/-0.0, depending on which value is larger) m
Cable jacket	PVC, Yellow
Conductor diameter	0.076 "
Conductor material	TC (tinned copper)
Core insulation	PVC
Core cross-section	5 x 18 AWG [Similar to 0.75 mm ²]
Arrangement of strands	19 x 0.0092"
Core colors	BK, BU, GN/YE, BN, WH

Electrical properties at +20 °C

Rated voltage	600V
Current	9AA

Mechanical and chemical properties

Bending radius (stationary installation)	≥ 5 x Ø
Bending radius (flexible use)	≥ 10 x Ø
Cold flexural strength	-40 °C
Bending cycles 20 x Ø	10 million cycles
	When correctly installed at 20 °C, 50 % RH and a cycle speed of ≤ 0.5 cycles per second.
C-track	Yes
Ambient temperature (fixed)	-40...+105°C
Ambient temperature (mobile)	5...+105°C
Ambient temperature during installation	-10...+105 °C

Approval

Note

Using the cable in extreme temperatures, when it is exposed to certain chemicals and above the nominal cycle speed or below the nominal bending radius of the cable can reduce the flexural strength.

- We reserve the right to make technical modifications without prior notice.