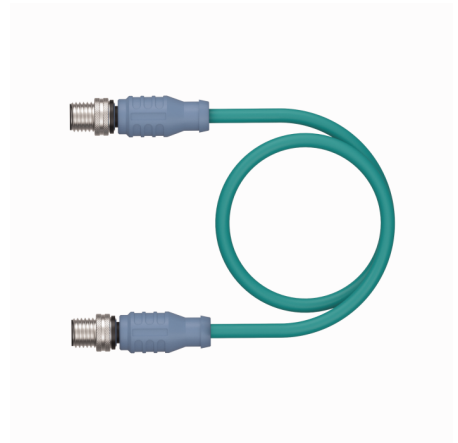
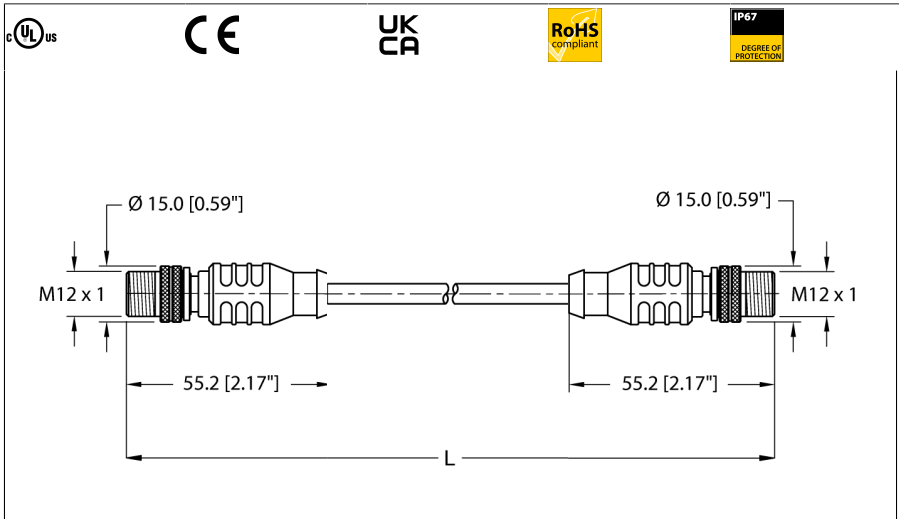


Industrial Ethernet Cable

Verbindungsleitung

RSSD RSSD 441-2M

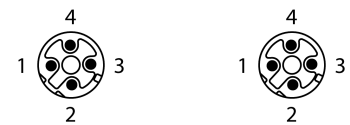


- M12 male connector, straight, 4-pin
- Shielding on coupling nut/retaining screw
- D-coded
- M12 male connector, straight, 4-pin
- D-coded
- Industrial Ethernet cable
- Fieldbus type: Ethernet CAT5E, TPE jacket, turquoise, shielded, 2UTP × 24 AWG
- -40 °C cold bending strength
- Fire classes: UL 1685, UL 1061
- Flexlife and C-Track approved

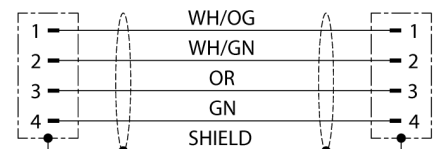
Type	RSSD RSSD 441-2M
ID	U-02482
Connector A	Male, M12 × 1, Straight, D-coded
Number of pins	4
Contact carriers	Plastic, TPU, Black
Connector body	Plastic, TPU, Blue gray
Coupling nut/screw	Brass, CuZn, Nickel-plated
Tightening torque (range)	0.8 ... 1 Nm (observe max. torque of mating connector!)
Mechanical lifespan	> 100 Mating cycles
Pollution degree	3
Protection class	IP67

Connector B	Male, M12 × 1, Straight, D-coded
Design specification	acc. to IEC 61076-2-101
Number of Pins	4
Contact carriers	Plastic, Nylon or TPU, Black
Connector body	Plastic, TPU, Blue gray
Coupling nut/retaining screw	Brass, CuZn, Nickel-plated
Tightening torque	0.8 ... 1 Nm (observe max. torque of mating connector!)
Mechanical life	> 100 Mating cycles
Pollution degree	3
Protection class	IP67

Cable



Circuit Diagram



Cable ID	RF51211
Network protocol	Ethernet, 441
Number of cores	4
Cable diameter	Ø 6.73mm
Cable length	2 m, (+ 50 mm or 4 % of the length/-0.0, depending on which value is larger) m
Cable jacket	TPE, Teal
Shielding	Aluminum/polyester (OUT), 38 AWG, TC (tinned copper), 75% covered
Conductor material	TC (tinned copper)
Core colors	OG, WH/OG, GN, WH/GN

Subassembly 1	
Description of assembly	UTP (unshielded twisted pair)
Number of pairs	2
Conductor diameter	0.048 " "
Core insulation	HDPE
Core cross-section	2x24 AWG [Similar to 0.25 mm ²]
braid arrangement	7x32AWG

Electrical properties at +20 °C	
Rated voltage	30V _{AC} /42V _{DC}
Current	1.5AA

Mechanical and chemical properties	
Bending radius (stationary installation)	≥ 4 x Ø
Bending radius (flexible use)	≥ 10 x Ø
Bending radius (C-Track)	≥ 4 In.
Bending cycles (C-Track)	35 Million *
Torsional stress	± 270 °/m
Torsion cycles	Max. 3 million
Torsion speed	52 Cycles/min
Cold flexural strength	-40 °C
	When correctly installed at 20 °C, 50 % RH and a cycle speed of ≤ 0.5 cycles per second.
C-track	Yes
Ambient temperature (fixed)	-40...+80°C
Ambient temperature (mobile)	5...+80°C
Ambient temperature during installation	-10...+80 °C

Approval

Note	
	Using the cable in extreme temperatures, when it is exposed to certain chemicals and above the nominal cycle speed or below the nominal bending radius of the cable can reduce the flexural strength.
	- We reserve the right to make technical modifications without prior notice.