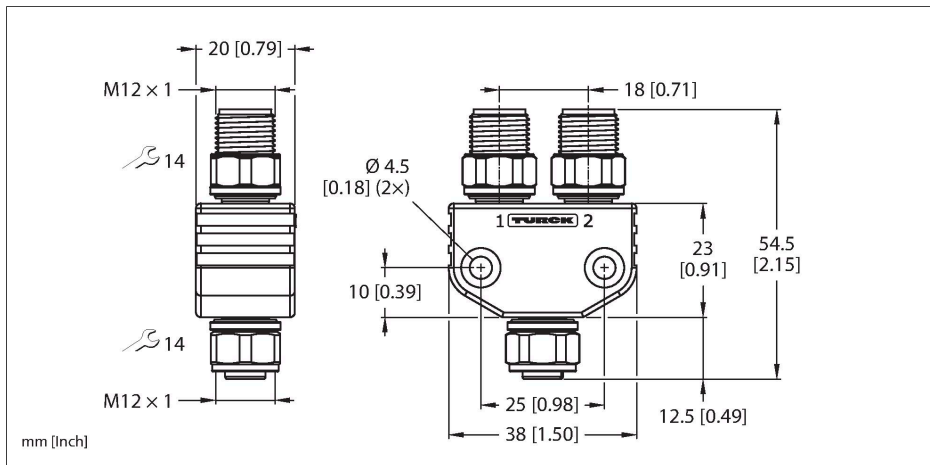


VB2-FKMV5-FSMV5.205-FSMV5.305/S2550

2-Way Splitter – For RFID Bus Line Topology



Technical data

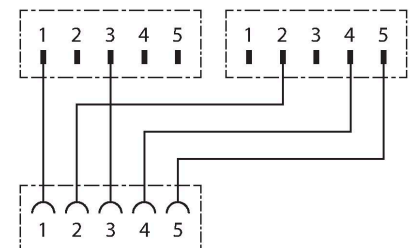
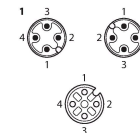
Type	VB2-FKMV5-FSMV5.205-FS-MV5.305/S2550
ID	6636989
Distributed I/O	Y-splitter, 2 - port
Connector A	Female, M12 × 1
Number of pins	5
Contacts	Brass, CuZn, Gold-plated
Contact carriers	Plastic, TPU, Black
Connector body	Plastic, TPU, Black
Coupling nut/screw	Stainless Steel, V4A
Tightening torque (range)	0.8 ... 1 Nm (observe max. torque of mating connector!)
Mechanical lifespan	> 100 Mating cycles
Pollution degree	3/2
Protection class	IP67, Only in screwed condition
Connector B	2 x Male, M12 × 1
Number of Pins	5
Contacts	Brass, CuZn, Gold-plated
Contact carriers	Plastic, TPU, Black
Connector body	Plastic, TPU, Black
Coupling nut/retaining screw	Stainless Steel, V4A
Tightening torque	0.8 ... 1 Nm (observe max. torque of mating connector!)
Mechanical life	> 100 Mating cycles
Pollution degree	3/2
Protection class	IP67, Only when screwed together

Features



- M12 female connector to 2 × M12 male connector
- Stainless steel coupling nut
- RoHS compliant
- Protection class: IP67

Contact assignment



Technical data

Electrical properties at +20 °C

Rated voltage	60 V
Current	4 A
Insulation resistance	$\geq 10^8 \Omega$
forward resistance	$\leq 5 \text{ m}\Omega$

Mechanical and chemical properties

Ambient temperature (mobile)	-30...+80 °C
------------------------------	--------------

Accessories

TORQUE-WRENCH-SET-AS	6936170
Torque wrench set; handles with adjustable torque 0.4-1.0 Nm, torque wrench for M8 (SW9), fork wrench for M12 (SW 14)	