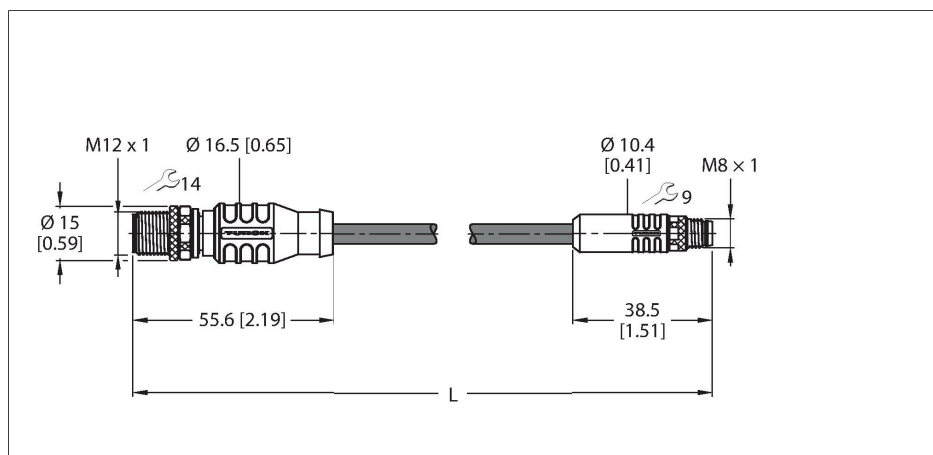


RSSD-PSGS4M-4422-2M

Industrial Ethernet Cable – Connection Cable



Technical data

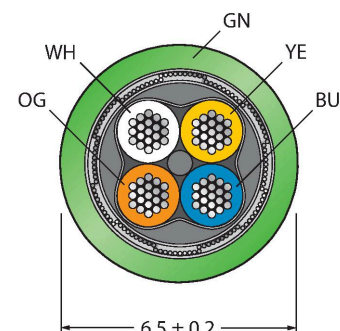
| | |
|------------------------------|--|
| Type | RSSD-PSGS4M-4422-2M |
| ID | 6635160 |
| Connector A | Male, M12 × 1, Straight, D-coded |
| Number of pins | 4 |
| Contacts | Metal, CuZn, Gold-plated |
| Contact carriers | Plastic, TPU, Black |
| Connector body | Plastic, TPU, Black |
| Coupling nut/screw | Brass, CuZn, Nickel-plated |
| Tightening torque (range) | 0.8 ... 1 Nm (observe max. torque of mating connector!) |
| Mechanical lifespan | > 100 Mating cycles |
| Pollution degree | 3 |
| Protection class | IP67, Only in screwed condition |
| Connector B | Male, M8 × 1, Straight |
| Number of Pins | 4 |
| Contacts | Metal, CuZn, Gold-plated |
| Contact carriers | Plastic, PA, UL 94, Black |
| Connector body | Plastic, TPU, UL 94, Black |
| Coupling nut/retaining screw | Die-cast Zinc, GD-Zn, Nickel-plated |
| Tightening torque | 0.4 ... 0.6 Nm (observe max. torque of mating connector!) |
| Mechanical life | > 100 Mating cycles |
| Pollution degree | 3/2 |
| Protection class | IP67, Only when screwed together |
| Cable | |
| Network protocol | Ethernet |
| Cable diameter | Ø 6.5 mm ±0.20 |

Features



- Ethernet cable: 4-pin, AWG 22
- CAT 5E
- Jacket material: PUR
- Jacket color: green
- Shielding: overlapping aluminum foil, tinned copper wire
- Jacket diameter: 6.5 mm
- Suitable for drag chain use
- Oil resistant acc. to IEC 60811-2-1 and UL13
- Halogen free acc. to IEC 60754
- Flame retardant acc. to IEC 60332-1-2 and UL FT2, UN/ECE R118
- RoHS compliant
- PNO compliant
- UL
- M8 male connector, straight
- M12 male connector, straight, D-coded
- Cable length: 2.0 m

Cable Cross-Section



Technical data

| | |
|---|-----------------------------------|
| Cable length | 2 m |
| Cable jacket | PUR, Green |
| Shielding | Aluminum foil, tinned copper wire |
| Core insulation | TPE-O |
| Core cross-section | 4 x 0.32 mm ² |
| Arrangement of strands | 7 x 0.25 mm |
| Core colors | WH, YE, BU, OG |
| Electrical properties at +20 °C | |
| Rated voltage | 30 V |
| Test voltage | 2000 V |
| Current | 4 A |
| DC resistance (loop) | 120 Ω/km |
| Nom. impedance | 100 Ω (1MHZ) |
| Nom. capacitance | 50 pF/m |
| Mechanical and chemical properties | |
| Bending radius (stationary installation) | ≥ 5 x Ø |
| Bending radius (flexible use) | ≥ 15 x Ø |
| Bending cycles | ≥ 5 million |
| Torsional stress | ± 180 °/m |
| Torsion cycles | Max. 100,000 |
| Ambient temperature (fixed) | -40...+80 °C |
| Ambient temperature (mobile) | -30...+80 °C |
| Other Features | |
| Qualified for drag chain use | yes |
| Halogen-free | yes |
| PVC-free | yes |
| UV resistance | yes |
| Oil-resistant | yes |
| Flame-retardant | yes |
| Approvals | UL Listed |

Contact assignment



Circuit Diagram

