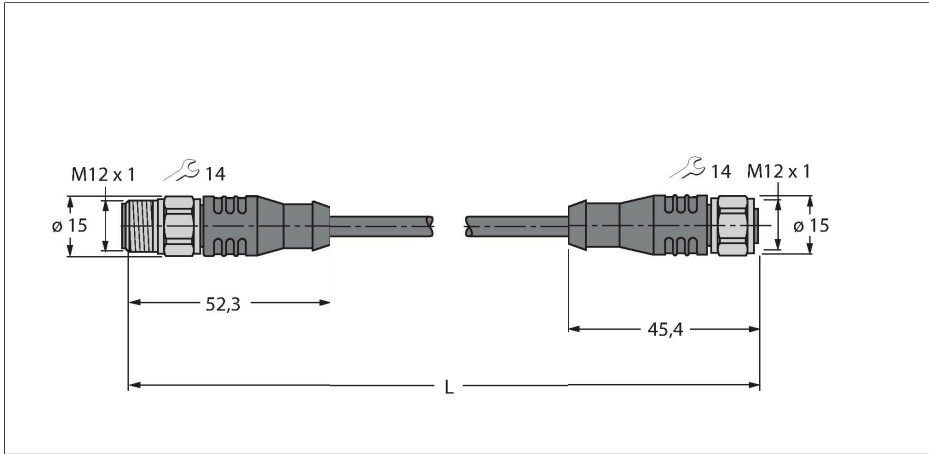


RSCV-RKCV5500-2M/S2500

Cable for RFID Application in the Food Industry – Extension Cable



Technical data

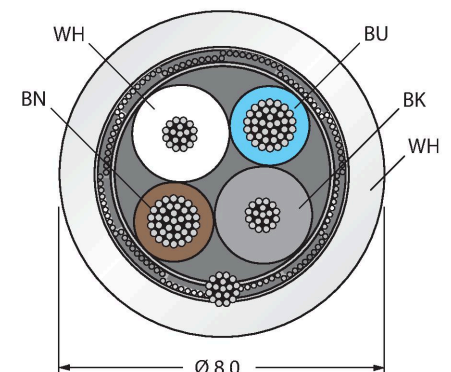
Type	RSCV-RKCV5500-2M/S2500
ID	6633193
Connector A	Male, M12 × 1, Straight, A-coded
Number of pins	5
Contacts	Metal, CuZn, Gold-plated
Contact carriers	Plastic, PPH, White
Connector body	Plastic, PP, White
Coupling nut/screw	Stainless Steel, V4A
Tightening torque	0.8 Nm
Mechanical lifespan	> 100 Mating cycles
Protection class	IP67, IP69K, Only in screwed condition
Connector B	Female, M12 × 1, Straight, A-coded
Number of Pins	5
Contacts	Metal, CuZn, Gold-plated
Contact carriers	Plastic, PPH, White
Connector body	Plastic, PP, White
Coupling nut/retaining screw	Stainless Steel, V4A
Seal	Plastic, FPM/FKM
Tightening torque	0.8 Nm
Mechanical life	> 100 Mating cycles
Protection class	IP67, IP69K, Only when screwed together
Cable	
Cable diameter	Ø 8 mm
Cable length	2 m
Cable jacket	PP-EPDM, White

Features



- Jacket material: PP-EPDM
- Jacket color: white
- Suitable for drag chain use
- Oil resistant in accordance with EN 60811-2-1
- Free from halogen and silicone
- Particularly resistant to abrasion
- RoHS II/REACH compliant
- Protection class: IP67, IP69K
- M12 female connector, straight, stainless steel
- M12 male connector, straight, stainless steel
- Cable length: 2.0 m

Cable Cross-Section



Contact assignment



Technical data

Shielding	yes
Core insulation	XLPE
Data cable cores	
Core cross-section	2 x 0.25 mm ²
Power cable cores	
Core cross-section	2x 0.34 mm ²
Core colors	Power: BN, BU Data: WH, BK
Electrical properties at +20 °C	
Rated voltage	60 V
Current	4 A
DC resistance (loop)	82 Ω/km
Nom. impedance	120 Ω (1 MHz)
Nom. capacitance	37 pF/m
Mechanical and chemical properties	
Bending radius (stationary installation)	≥ 5 x Ø
Bending radius (flexible use)	≥ 10 x Ø
Bending cycles	≥ 2 million
Admissible acceleration	max. 5 m/s ²
Admissible travel path, horizontal	5 m (at 5 m/s ²)
Admissible travel path, vertical	5 m (at 5 m/s ²)
Admissible traversing speed	3.3 m/s
Torsional stress	± 180 °/m
Torsion cycles	Max. 2 million
Ambient temperature (fixed)	-40...+105 °C
Ambient temperature (mobile)	-35...+105 °C
Other Features	
Qualified for drag chain use	yes
Halogen-free	yes

Circuit Diagram

