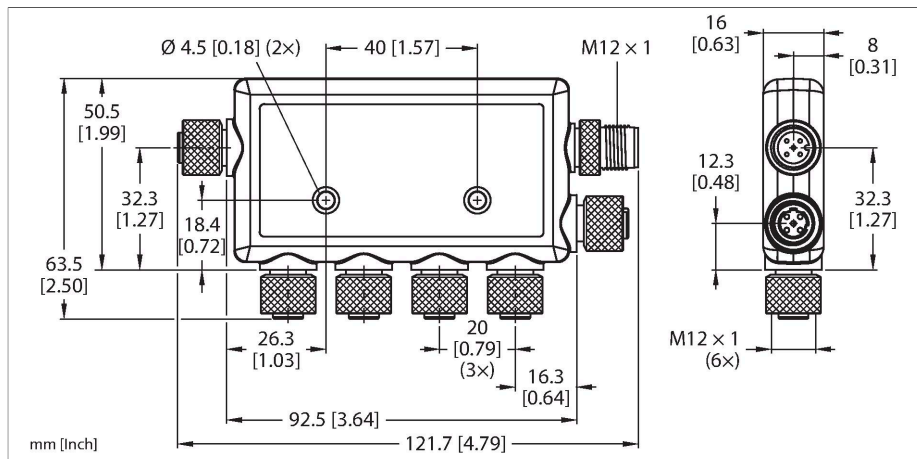


# DXMR90-X1

## Network Controller – 4 Modbus RTU Master Ports

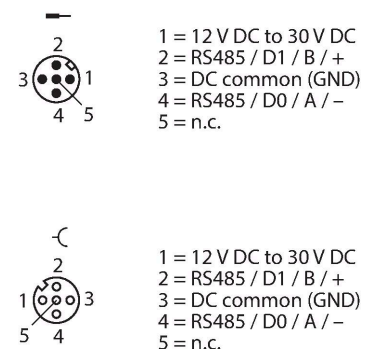
### Modbus RTU and Ethernet Interface



### Features

- Protection class IP67
- Flat, compact housing
- Configurable LEDs
- Logic functions, supports ScriptBasic
- Supports MQTT, TLS, SSL, HTTPS
- Email and cloud function, timing and data logger
- Can be configured via DXM Configuration Software
- Operating voltage: 12...30 VDC
- In-line RS485 connection, supports Modbus RTU
- Four independent RS485 interfaces via four 4-pin M12 × 1 female connectors for Modbus RTU master functionality
- Ethernet interface: M12 × 1 female connector, 4-pin, D-coded
- Supports EtherNet/IP, Modbus TCP and -PROFINET

### Wiring diagram

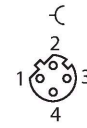


### Technical data

Type	DXMR90-X1
ID	3812240
<b>Wireless data</b>	
Device type	Network controller
<b>I/O data</b>	
Communication protocol	RS485 Modbus RTU EtherNet/IP Modbus TCP PROFINET
<b>Electrical data</b>	
Runs with battery	No
Operating voltage $U_b$	12...30 VDC
DC rated operating current $I_o$	≤ 120 mA
Power-on indication	LED, Green
<b>Mechanical data</b>	
Design	Rectangular, DXMR90
Dimensions	16 x 121.7 x 63.5 mm
Housing material	Plastic, PC, Grey
Electrical connection	Connector, M12 × 1, 5-pin
Antenna connection	No radio participant
Ambient temperature	-40...+70 °C
Storage temperature	-40...+80 °C
Relative humidity	0...90 %
Protection class	IP67

## Technical data

Tests/approvals	
Vibration resistance	Acc. to IEC 60068-2-6 requirements (vibration: 10 Hz to 55 Hz, 1.0 mm amplitude, 5 minutes sweep, 30 minutes dwell)
Shock test	Acc. to IEC 60068-2-27 requirements (shock: 30 G, 11 ms duration, half sinewave)
Approvals	CE UKCA



1 = TX +  
2 = RX +  
3 = TX -  
4 = RX -

## Functional principle

The DXM network controller offers a variety of functions. This small control unit works with various bus protocols and allows the processing of data with logic functions, timed actions and registry manipulations. Up to 4 independent Modbus RTU masters with separate ports can be configured. Emails, push notifications, etc. can be sent via Ethernet if required, and much more. The controller is configured using PC software.

## Accessories

SMBR90S	3813308	Mounting bracket, stainless steel, for DXMR90 design, for wall mounting
---------	---------	---

## Accessories

Dimension drawing	Type	ID	
Keine Maßzeichnung vorhanden! No drawing available!	STP-M12D-406	3806414	Extension cable, M12 ×1 male connector, D-coded to RJ45, cable length: 1.83 m
Keine Maßzeichnung vorhanden! No drawing available!	STP-M12D-430	3806416	Extension cable, M12 ×1 male connector, D-coded to RJ45, cable length: 9.14 m
Keine Maßzeichnung vorhanden! No drawing available!	STP-M12D-415	3806415	Extension cable, M12 ×1 male connector, D-coded to RJ45, cable length: 4.57 m