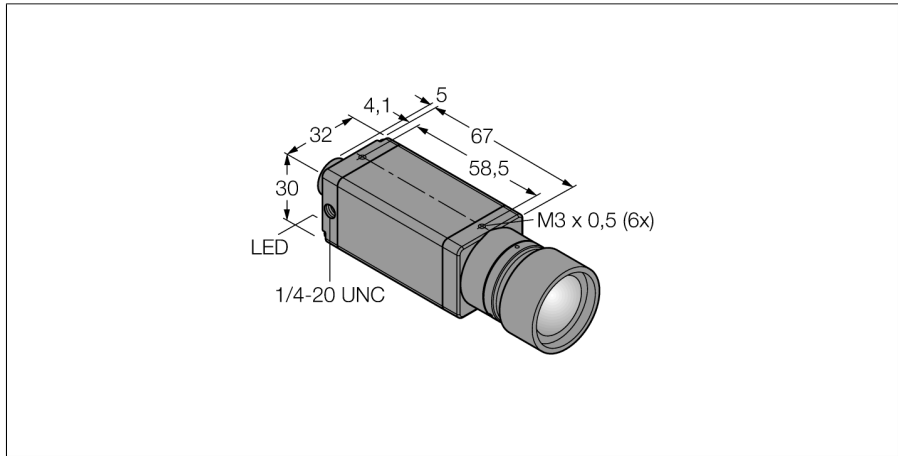
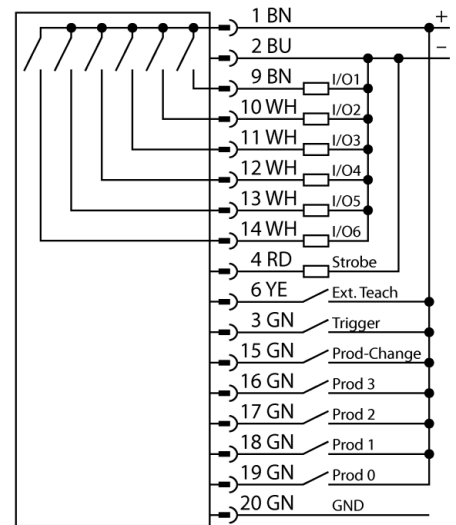


# Image Processing Camera P3 PPROCAM



- Compact camera (separate controller required, type PPROCTL)
- protection class IP20
- Lens to be ordered separately
- 1/3" CCD, 640x480 pixels
- 256 gray scale values

### Wiring Diagram



Type	PPROCAM
ID	3074937
<b>Camera data</b>	
Resolution	640 × 480 pixels
<b>DC rated operating current I<sub>e</sub></b>	
DC rated operating current I <sub>e</sub>	≤ 650 mA
<b>Communication protocol</b>	
Communication protocol	EtherNet/IP
	Modbus TCP
	Modbus TCP
	PCCC
	RS232

<b>Mechanical data</b>	
Housing material	Metal, AL
Ambient temperature	0...+50 °C
Protection class	IP20
<b>Tests/approvals</b>	
Approvals	CE

### Functional principle

The image processing system PresencePLUS PRO consists of the compact camera and the processing unit incorporated in a separate controller. Lens, external/internal lighting and connection cable are to be ordered separately. Freeware and firmware updates are available for download on:

[www.bannerengineering.com](http://www.bannerengineering.com)