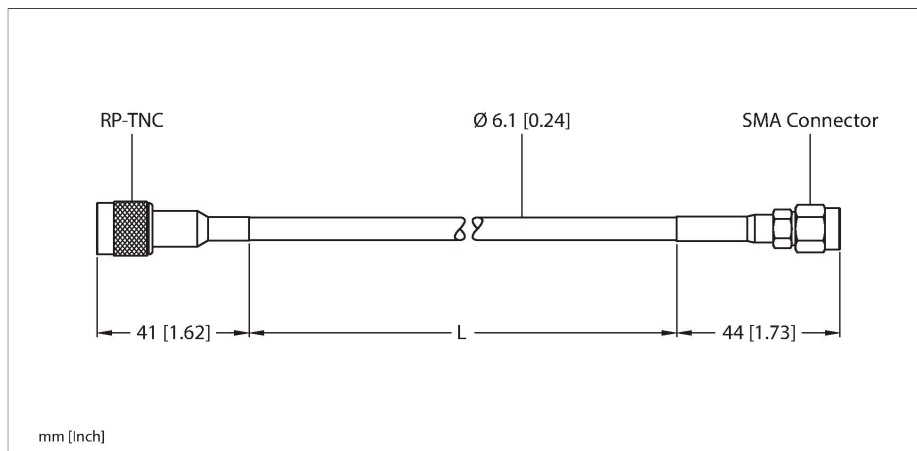


TN-UHF-CBL-HF240-RPTNC-8-SMA

Accessories – Coaxial Cable for Passive UHF Antennas



Technical data

Type	TN-UHF-CBL-HF240-RPTNC-8-SMA
ID	100028195
Cable quality	8 m
Damping	2 dB
Packaging unit	1

Features

- RP-TNC to SMA