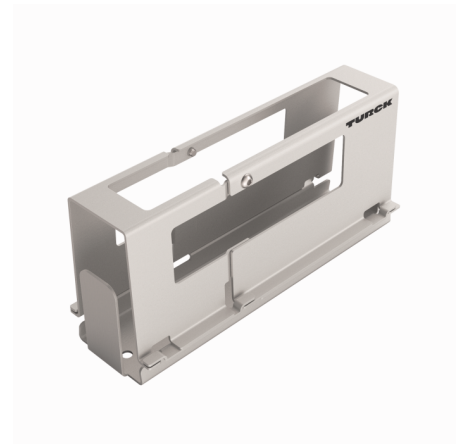
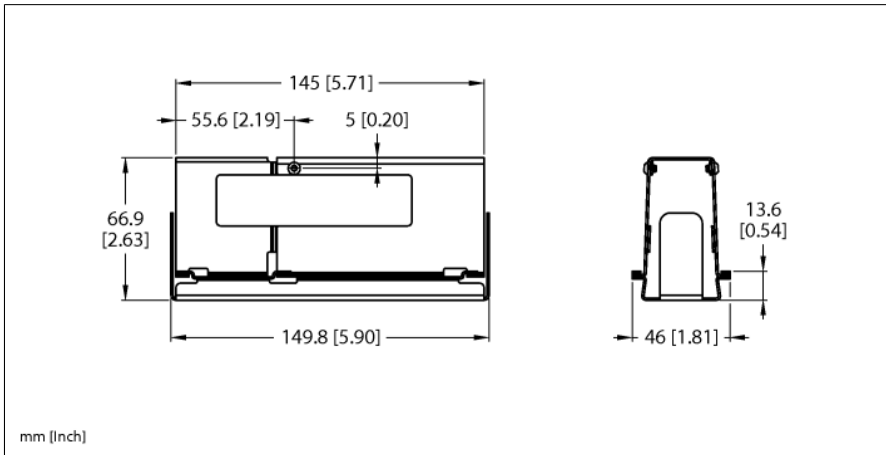


TBxx-S Metal Protective Housing for EX Applications

TB-SG-S



Type	TB-SG-S
ID	100014866

- Installation in ATEX Zone 2/22
- Module types: TBEN-S

General Information	
Ambient temperature	-40...+70 °C
Housing material	Stainless steel 1 mm